



ZHEJIANG UNIÜ-NE Technology CO., LTD

浙江宇力微新能源科技有限公司



U2269 Data Sheet

V 1.1

版权归浙江宇力微新能源科技有限公司

Description

U2269 is highly integrated current mode PWM control IC optimized for high performance, low standby power and cost effective offline flyback converter applications in sub 80W range.

PWM switching frequency at normal operation is externally programmable to tight range. At no load or light load condition, the IC operates in extended 'burst mode' to minimize switching loss. Lower standby power and higher conversion efficiency in thus achieved.

VDD low startup current and low operating current contribute to a reliable power on startup design with U2269. A large value resistor could thus be used in the startup circuit to minimize the standby power.

U2269 offers complete protection coverage with automatic self-recovery feature including Cycle-by-Cycle current limiting (OCP), over temperature protection (OTP), VDD over voltage clamp and under voltage lockout (UVLO). The Gate output is clamped to maximum 18V to protect the power MOSFET.

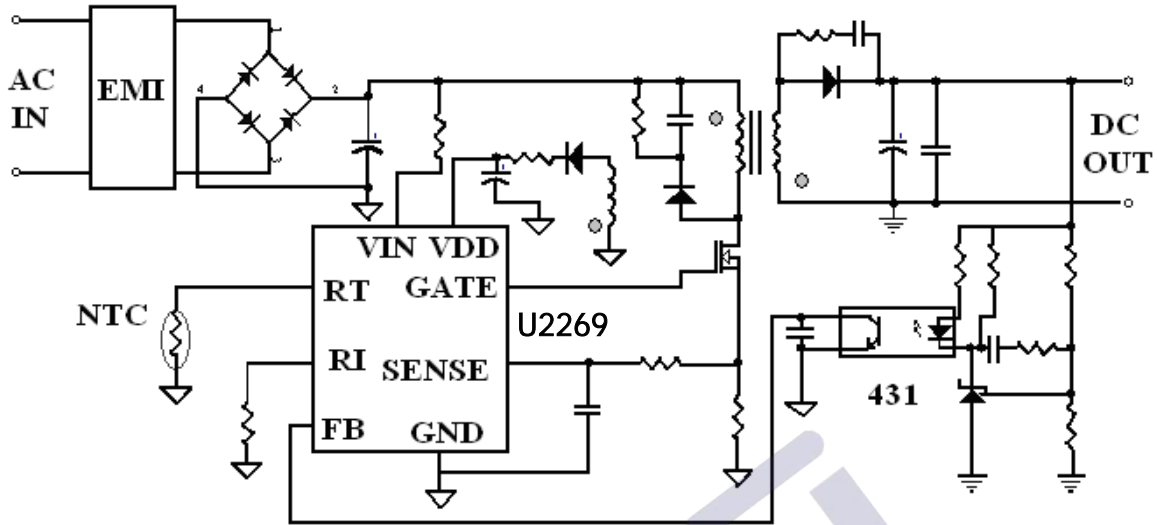
Features

- Proprietary frequency shuffling technology for improved EMI performance.
- External programmable PWM switching frequency.
- Leading edge Blanking on current sense input.
- Internal synchronized slope compensation .
- Extended burst mode control for improved efficiency and minimum standby power design
- Low VDD startup current and low operating current.
- Gate output maximum voltage clamp 18V.
- Cycle-by-Cycle Current Limiting, Built-in Adaptive Current Peak Regulation
- Power on Soft-start, Programmable CV and CC Regulation
- VDD Under Voltage Lockout with Hysteresis (UVLO), OVP, OCP, OLP, Clamp VDD,

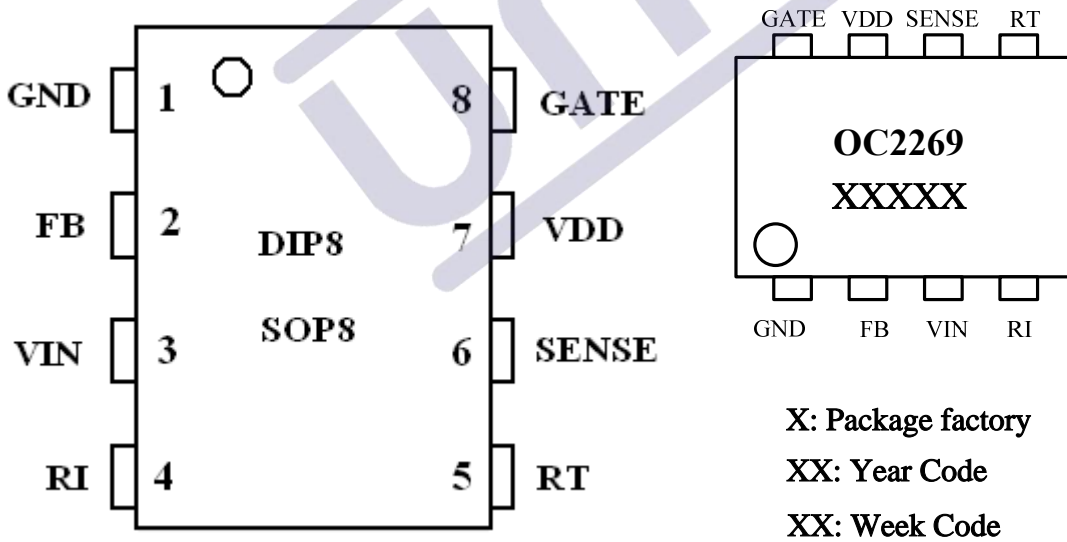
Applications

- Digital Cameras Charger
- Power adaptor
- Set-top box power supplies
- Open-frame SMPS
- Battery charger

Application Circuit



Pin Assignment & Marking Information



Ordering Information

Part number	Package
U2269-SI	SOP-8
U2269-DI	DIP-8

1.版本记录

DATE	REV.	DESCRIPTION
2018/04/19	1.0	First Release
2021/11/10	1.1	Layout adjustment

2.免责声明

浙江宇力微新能源科技有限公司保留对本文档的更改和解释权力，不另行通知！客户在下单前应获取我司最新版本资料，并验证相关信息是否最新和完整。量产方案需使用方自行验证并自担所有批量风险责任。未经我司授权，该文件不得私自复制和修改。产品不断提升，以追求高品质、稳定性强、可靠性高、环保、节能、高效为目标，我司将竭诚为客户提供性价比高的系统开发方案、技术支持等更优秀的服务。

版权所有 浙江宇力微新能源科技有限公司/绍兴宇力半导体有限公司

3.联系我们

浙江宇力微新能源科技有限公司

总部地址：绍兴市越城区斗门街道袍渎路25号中节能科创园45幢4/5楼 电话：

0575-85087896（研发部）

传真：0575-88125157

E-mail: htw@uni-semic.com

无锡地址：无锡市锡山区先锋中路6号中国电子（无锡）数字芯城1#综合楼503室

电话：0510-85297939

E-mail: zh@uni-semic.com

深圳地址：深圳市宝安区西乡街道南昌社区宝源路泳辉国际商务大厦410

电话：0755-84510976

E-mail: htw@uni-semic.com